



# Shutter control unit quick instructions

## Product description

The Bosch Smart Home shutter control unit replaces existing traditional switches which have a wired connection to the shutters.

## Description of the symbols



Warning!  
Note about hazards



Note:  
Additional important information



Note about the installation video

## **!** Safety instructions

- ▶ The device is not a toy! Do not allow children to play with it. Never leave the packaging material lying around unattended. Plastic film and small parts may pose a danger to children.
- ▶ A remote control or automated control system carries a risk that shutters/blinds are lowered out of the operator's sight and direct sphere of influence. This unsupervised lowering of shutters/blinds can result in personal injury (including crushing injuries) or property damage. Therefore, you must ensure to

the greatest extent possible that no people or objects are in the travel path of the shutter/blind being controlled. Only use the shutter control unit in combination with shutters/blinds which are equipped with obstacle detection or for which at least a comparable level of protection with regard to crushing injuries is ensured by means of other design features. Always consult an expert for this assessment and for the installation of any constructive safety measures which may be required.

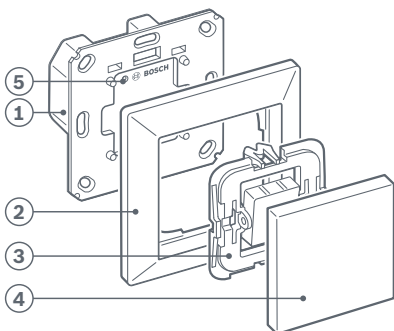
- ▶ Do not open up the device. It does not contain any parts to be maintained by the user. If a fault occurs, have the device checked by a specialist.
- ▶ We accept no liability for material damage or personal injury which is caused by improper use or failure to observe the safety instructions. In these cases, any guarantee claim becomes void! We accept no liability for consequential damage.
- ▶ This device may be used by children from 8 years of age and by persons with reduced physical, sensory or mental capacities, or a lack of experience and knowledge provided these persons are supervised or have been instructed in the safe use of the device, and understand the corresponding risks.
- ▶ For safety and approval reasons (CE), the device may not be modified and/or no changes may be made to the device without authorisation.
- ▶ Do not paint over the device! Do not apply wallpaper over the device!
- ▶ Any use other than that which is described in the user manual is considered improper and leads to the exclusion of guarantee and liability.

- ▶ The device is not suitable for disconnection.
- ▶ Do not use the device if it has damage visible from the outside, for example, to the housing, control elements or connection sockets, or if it has a malfunction. If in doubt, please contact our service team.
- ▶ Only operate the device indoors and do not expose it to moisture, vibrations, constant sunlight or other sources of heat, extreme cold temperatures and mechanical stress.
- ▶ The device may only be used for stationary installations and must be fastened securely within a fixed installation.
- ▶ Only use the device together with original components and recommended products from Bosch partners.

## **i** Notes

- ▶ The range within buildings can differ significantly from the range in open spaces. In addition to the transmitting power and the receiving properties of the receiver, environmental factors such as humidity, as well as the local structural situation, play an important role.
  - ▶ The device is only suitable for use in residential environments.
  - ▶ The device is only intended for private use.
- ▶** You can also use the explanatory videos and additional information on our website as an additional aid for mounting, installing, starting up and restoring the factory settings on your Bosch Smart Home shutter control unit:
- [www.bosch-smarthome.com/rom/shutter-control](http://www.bosch-smarthome.com/rom/shutter-control)**

## Product overview



Item	Description
1	Shutter control unit
2	Example of a frame (not included in the box contents)
3	Example of an adapter (not included in the box contents)
4	Example of a rocker (not included in the box contents)
5	System button and status LED

An adapter (3) is essential for the operation of the shutter control unit (1). At the same time, the adapter (3) is also used to attach the frame (2) and the rocker (4). For your design freedom, we offer multiple adapter variants:

1. The adapter set for in-wall switches.

This set includes a rocker with pre-mounted adapter and the matching frame.

2. Adapter set for switch ranges from brand manufacturers.

To correctly choose the right adapter, please check the brand and range of your existing switch range. To do this, remove the rocker and frame of the current switch and determine the precise type of your switch range with the help of the information on the insides of the components. Then use the adapter overview on our website and observe the necessary preparations for mounting where applicable.

- i** Information about the adapter set and the adapter sets for brand manufacturers can be found at **[www.bosch-smarthome.com/rom/shutter-control-adapter](http://www.bosch-smarthome.com/rom/shutter-control-adapter)**

The status LED (5) shows the status of the shutter control unit using flashing codes.

Status LED flashing sequence	Device status	Recommended action
<b>Flashes orange</b>	Tuning mode (is active) or device is communicating with the controller	Please wait
<b>Flashes green</b>	Tuning mode (successful) or process confirmed	
<b>Flashes red</b>	Tuning mode (not successful) or process failed or max. wireless duration/hour reached (duty cycle limit)	If this is the first tuning attempt, please try again. Otherwise reset the device to the factory settings and contact the service department if necessary. If the wireless duration is exceeded, wait 60 minutes.
<b>Flashes red 6x (long)</b>	The device is defective	Please contact support.

### Notes regarding installation

- ⚠** The standards and directives applicable in your country must be observed during planning, set-up, operation and maintenance.
- i** A 230 volt alternating current power supply is required for this product (the switch must have a phase and neutral conductor).
- ⚠** The product is only intended for fixed installation in in-wall switch boxes with a minimum depth of 50 mm and a screw distance of 60 mm (in accordance with DIN 49073-1) in indoor areas.

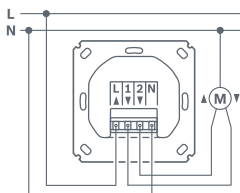
- ⚠** When connecting the device terminals, ensure that permitted wires and wire cross sections are used.
- ⚠** The consumers connected to the relay outputs must have sufficient insulation.
- ⚠** Observe the technical data, in particular the maximum permissible switching power of the relay and the type of consumers to be connected, before connecting a consumer. All load information relates to ohmic loads. The device should only be loaded to the specified power limit.

- ⚠ Overloading may result in destruction of the device, fire or an electric shock.
- ⚠ The power circuit to which the device and the load are connected must be secured with a circuit breaker in accordance with EN 60898-1 (trigger characteristics B or C, max. 16 A rated current, min. 6 kA breaking capacity, energy limitation class 3). Installation guidelines in accordance with the applicable national standards, e. g. VDE 0100 or HD384 or IEC 60364, must be observed. The circuit breaker must be easily accessible for the user and labelled as a disconnecter for the device.
- ⚠ The device is part of the building installation. The standards and directives applicable in your country must be observed during planning and set-up. Operation of the device is only permitted at 230 V/50 Hz AC voltage. Work on the 230 V network may only be carried out by an electrician (relevant standards and directives of your country). The applicable accident prevention regulations must be observed here. To avoid an electric shock on the device, please switch off the mains power. Failure to observe the installation instructions may result in fire or other hazards.

## Installation

**!** Before you start: Be sure to shut off the power circuit breaker!

Remove the existing shutter switch. Connect the shutter control unit in accordance with the connection diagram below:



Terminal	Description
L	External conductor
1	“Down” motor
2	“Up” motor
N	Neutral conductor

Attach the shutter control unit to the wall box using the screws included. Pay attention to correct orientation: The system button must be on the top left. Before putting on the adapter, frame and rocker, first connect the device to your Smart Home system as described in the next chapter. Switch the power circuit breaker back on. As soon as the shutter control unit is connected to the power supply, tuning mode starts and is active for 3 minutes. Tuning mode can be restarted at any time by pressing the system button.



## Start-up

Ensure that you have a Bosch Smart Home controller and the Bosch Smart Home app and have successfully configured both. Now start the Bosch Smart Home app and select “Add new device”. Follow the instructions in the app.

## Mounting

**i** Before mounting, consider whether you may need to make any adjustments to the rocker or the frame for your adapter.

First, press the rocker onto the matching adapter until it is firmly seated. Then insert the rocker into the frame. Next, attach this unit to the shutter control unit by inserting the locating pins on the adapter into the slots which are present on the device.

**i** You can find a more detailed description of mounting at:

**[www.bosch-smarthome.com/rom/shutter-control-adapter](http://www.bosch-smarthome.com/rom/shutter-control-adapter)**

## **Resetting to factory settings**

You can reset the device to its factory settings as follows:

Remove the rocker. Press the system button with a pointed object and hold it for approx. 4 seconds until the LED rapidly flashes orange. Release the system button briefly and press it again until the LED lights green. The device then restarts. Please note that it can take a few seconds until the shutter control unit is ready for operation again.

**i** When resetting to factory settings, the settings and information are only lost from the device and not from the Bosch Smart Home controller.


## **Maintenance and cleaning**

The device does not require maintenance. Leave any repairs to a specialist. Clean the device with a soft, clean, dry and lint-free cloth. When cleaning, do not use any cleaning agents containing solvents.

## **Simplified declaration of conformity**

 Robert Bosch Smart Home GmbH hereby declare that the radio equipment type Bosch Smart Home Shutter Control in-wall AA corresponds with the directive 2014/53/EU. The complete text of the EU declaration of conformity is available via the following web address:  
<https://eu-doc.bosch.com>

## **Environmental protection and disposal**

 Electrical or electronic devices which are no longer usable must be collected separately and disposed of via an environmentally friendly recycling facility (European Directive on Waste Electrical and Electronic Equipment). Use your country's specific return and collection systems when disposing of waste electrical or electronic devices.

## Technical data

Device type designation	Shutter Control in-wall AA
Protection class	IP20
Ambient temperature	+5 °C - +35 °C
Housing dimensions (W × H × D)	71 × 71 × 37 mm
Weight	58 g
Radio frequency	868.3 MHz / 869.525 MHz
Duty cycle	< 1% per h / < 10% per h
Max. transmitting power	10 dBm
Radio range in the open	< 220 m
Software class	A
Receiver category	SRD category 2
Supply voltage	230 V~/50 Hz
Max. current draw	2.2 A
Power consumption in sleep mode	0.2 W
Cable type and cross section	Rigid and flexible cable, 0.75 – 1.5 mm <sup>2</sup>
Installation	In accessory sockets with a depth of at least 50 mm and a device screw spacing of 60 mm
Maximum switching power	500 VA
Load type	Motor load
Relay	1x changeover, 1x make-contact
Measurement category	II

Technical modifications reserved

## **Open source software**

This Bosch Smart Home product uses open-source software. License information for the components used can be found in the attached documents.

## **Service information**

 Robert Bosch Smart Home GmbH  
Schockenriedstraße 17  
70565 Stuttgart-Vaihingen  
Germany

 [service@bosch-smarthome.com](mailto:service@bosch-smarthome.com)

@ [www.bosch-smarthome.com/service](http://www.bosch-smarthome.com/service)